

Human/Machine interfaces

Optimum Advanced Panels, Magelis™ GTO

Catalogue

April 2012



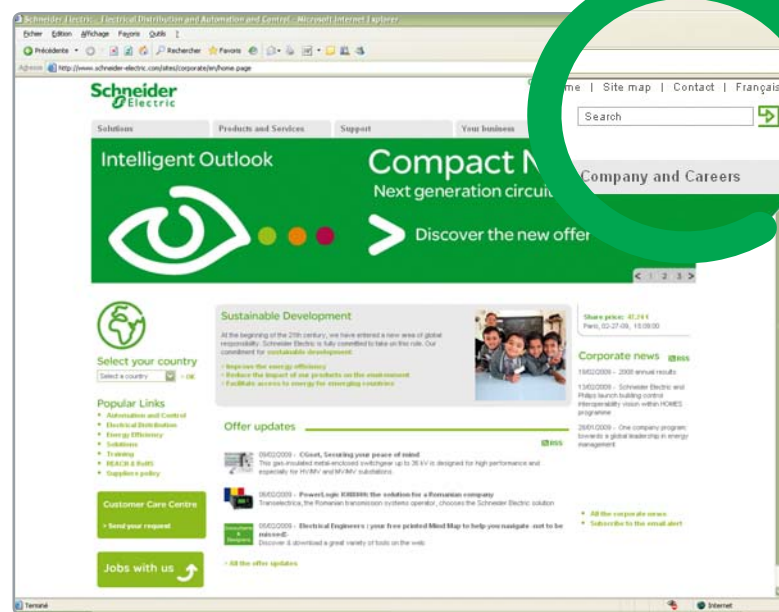


All technical information about products listed in this catalogue are now available on:
www.schneider-electric.com

Browse the “product data sheet” to check out :

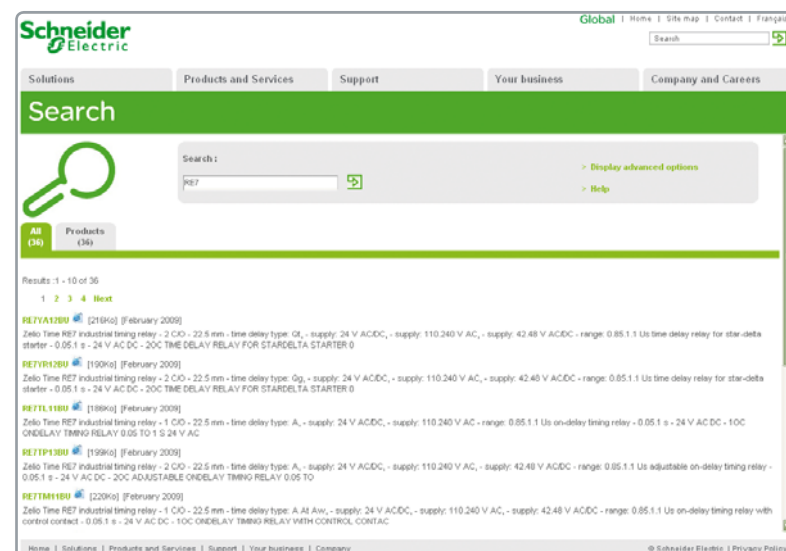
- characteristics,
- dimensions,
- curves, ...
- and also the links to the user guides and the CAD files.

1 From the home page, type the model number* into the “Search” box.



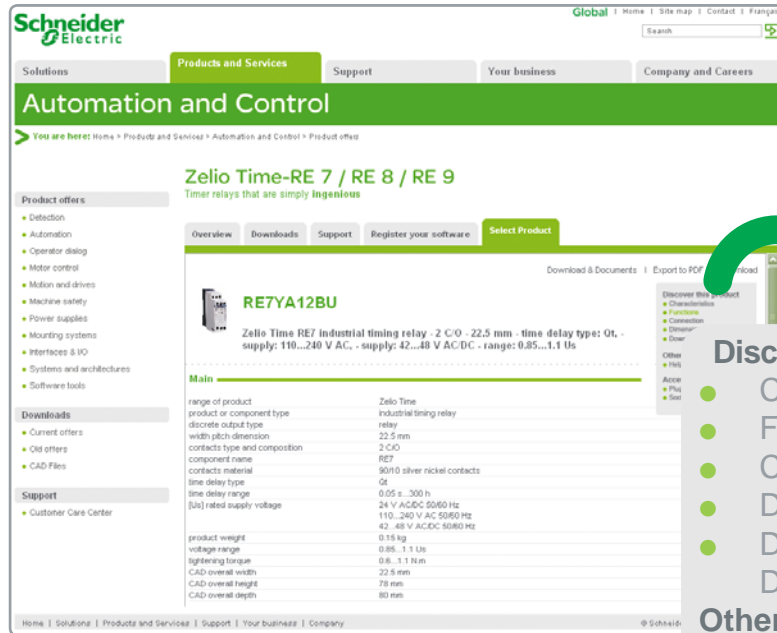
* type the model number without any blank, replace “•” by “*”

2 Under “All” tab, click the model number that interests you.



3 The product data sheet displays.

Example : Zelio Time data sheet



Discover this product

- Characteristics
- Functions
- Connection
- Dimensions
- Download & Documents

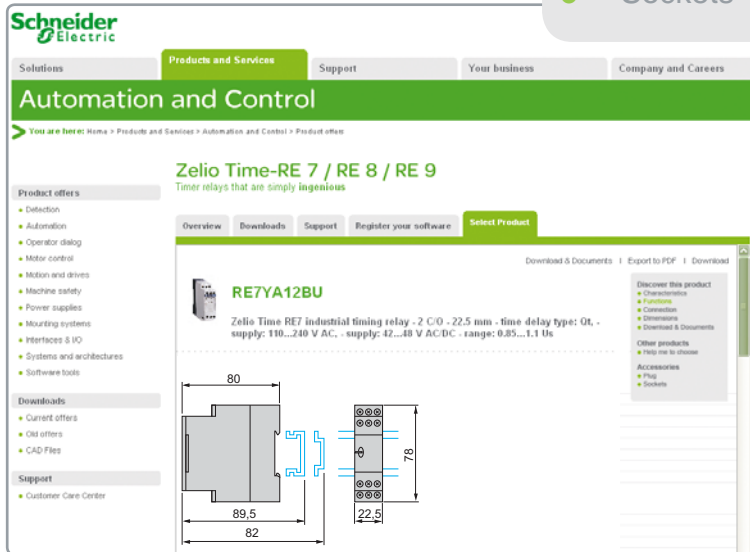
Other products

- Help me to choose

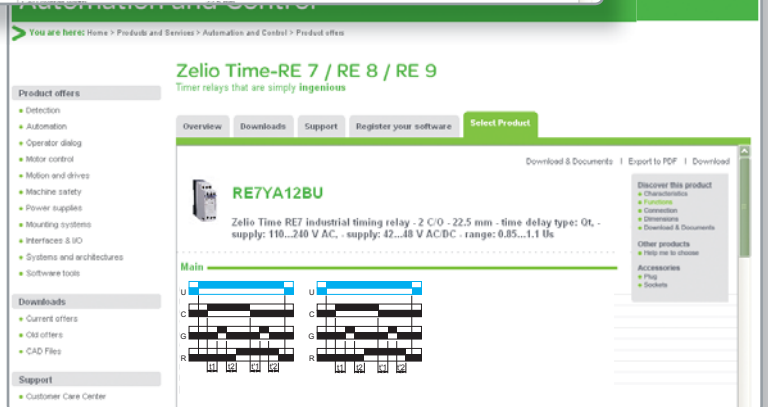
Accessories

- Plug
- Sockets

Example : Zelio Time data sheet



Example : Zelio Time data sheet



✔ You can get this information in one single pdf file.

The new operator terminal standard for OEM



Magelis GTO is the first optimized terminal that does not compromise features and performances for most of the OEM applications:

- State of the art display
- Optimized communication
- Easy to install and sustainable offer
- Adapted to your environment
- Rugged for specific applications



Contents

• Magelis GTO benefits	4-9
• Selection guide for Advanced Panels Magelis GTO	10-11
• Magelis GTO: Presentation pages	12-15
• Magelis GTO: Description pages	16-20
• Magelis GTO: References pages	21
• Separate components for Advanced Panels Magelis GT/GTO/GK/GH/GTW	22-35



State of the art display

The 5 screen size range consists of a 65 K colour TFT screen that provides the **best-ever visualisation** of Magelis range.

The design of the panel, with its LED backlight, allows **energy saving and dimming functionality**.



Up to **40%**

The 7" wide screen provides a **40% increase** in the available screen area. The external keypad, also available with the 3,5" screen, allows the screen area to provide maximum information.



Optimized communication

Magelis GTO offers **remote control access** and embedded Ethernet provides **easy integration in your IT structure**.

The up to date peripheral links enable easy operating use as well as an easy maintenance.





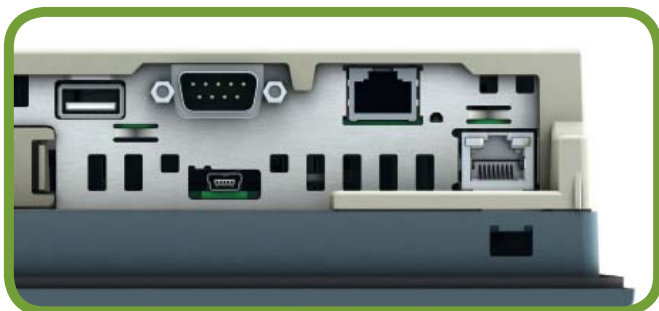
Easy to install and sustainable offer

- With Magelis GTO, you can rely on a long term investment. The existing **cut-out is the same size** for the new range, enabling you an immediate installation when your current panel needs to be replaced. The **configuration tool** (software) **is also the same** to enable an immediate restart of the operations.



Powered by
Vijeo Designer

- The installation is made easy with:
 - **only 4 installation fasteners** for the whole range
 - **unique fast connection power plug** for the whole range
 - **the connectors located in the same place** on the panel for a better wiring



Magelis GTO is part of Machine solution



Included in SoMachine V3.1

Adapted to your environment

Whatever your constraints, you can find a solution with Magelis GTO.

Especially adapted to **hot atmospheres**, the range allows operation up to 55°C.

You need a rugged panel for **harsh environments**, we offer a set of accessories to protect against chemical and oil substances.

If you are exposed to **Marine constraints, explosive risks or hazardous locations**, the range complies with the appropriate certification: Marine Bridge and Deck, ATEX (Cat 3 certificates) and ISA 1212 to allow installation in these specific applications.



★ Certified

Conforming to international standards

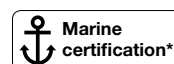


C-Tick

Class 1 Div 2



Category 3



* Consult our catalogue



Specific range developed for your Pharmaceutical and Food & Beverage applications:

Magelis GTO offers a complete range of stainless steel panels especially designed to meet the constraints of the pharmaceutical or food and beverage industry.

Developed in compliance with DIN EN 1672-2 “Food processing machines – Safety and Hygiene Requirements”, they can provide an exemplary cleaning and disinfection.

Their IP66K protection grade makes **them resistant to a 10 bar water jet** without compromising the **seal of the cabinet** provided by a gasket conforming to FDA 21 CFR 177.2006. The conformal coating of electronic parts minimises the risk of condensation.

The cleanliness is provided by the absence of front metal joints or groove, and by the corrosion resistant stainless steel grade 304 cover.

To fit your needs, they are available in **several sizes**: 5.7”, 10.4”, and 12.1”, and can be mounted the same way as the standard size.



Complete traceability is possible with the Vijeo Designer software IDS add-on compliant with CFR21 part 11.



Vijeo Designer



IDS

Applications	Display of text messages, graphic objects and synoptic views Control and configuration of data
Type of terminal	Optimum Advanced Panels, touch screen
Degree of protection (according to IEC 60529)	IP 65 (IP 67 with addition of a cover)



Display	Type	Colour TFT LCD, backlit 320 x 240 pixels (QVGA)	Colour TFT LCD, backlit 800 x 480 pixels (WVGA)	
	Capacity	3.5"	5.7"	7.0 Wide
Data entry		Via touch screen	Via touch screen	Via touch screen
	Static function keys	6 function keys (static or dynamic)	–	8 function keys (static or dynamic)
	Dynamic function keys	–	–	–
	Service keys	–	–	–
	Alphanumeric keys	–	–	–
Memory capacity	Applications	64/96 MB Flash EPROM (1)	96 MB Flash EPROM	
	Expansion	–	By 4 GB SD card (except HMI GTO2300)	
Functions	Maximum number of pages	Limited by internal Flash EPROM memory capacity	Limited by capacity of internal Flash EPROM memory or of SD card	
	Variables per page	Unlimited (8000 variables max.)		
	Representation of variables	Alphanumeric, bitmap, bargraph, gauge, tank, tank level indicator, curves, polygon, button, LED		
	Recipes	32 groups of 64 recipes comprising 1024 ingredients max.		
	Curves	Yes, with log		
	Alarm logs	Yes		
	Real-time clock	Built-in		
	Discrete I/O	–		
	Multimedia I/O	–		
	Communication	Downloadable protocols	Uni-TE (2), Modbus, Modbus TCP/IP (1) and for PLC brands: Mitsubishi, Omron, Allen-Bradley and Siemens	
Asynchronous serial link		RS 232C (COM1) and RS 485 (COM2) except HMI GTO1310: RS 232C/485 (COM1)		
USB ports		1 type A host connector + 1 mini-B connector		
Buses and networks		Ethernet TCP/IP (10BASE-T/100BASE-TX) (3), Modbus Plus and Fipway via USB gateway		
Printer link		RS 232C (COM1) serial link (4) and USB port for parallel printer		
Development software	Vijeo Designer (on Windows XP and Windows 7)			
Operating system	Magelis (333 MHz RISC CPU)			
Type of terminal	HMI GTO1300 HMI GTO1310	HMI GTO2300 HMI GTO2310	HMI GTO3510	
Page	21			

(1) Depending on model.
 (2) Uni-TE version V2 for Twido controller and TSX Micro/Premium platform.
 (3) Except HMI GTO1300 and GTO2300 (Modbus Plus and Fipway via USB gateway only).
 (4) Except HMI GTO1310 (USB port for parallel printer only).



Display of text messages, graphic objects and synoptic views
Control and configuration of data

Optimum Advanced Panels, touch screen

Optimum Advanced Panels, touch screen, "Stainless Steel" version

IP 65 (IP 67 with addition of a cover)

IP 66K (Front panel with stainless steel frame) for food & beverage environment



Colour TFT LCD, backlit
640 x 480 pixels (VGA)

Colour TFT LCD, backlit
640 x 480 pixels (VGA)

Colour TFT LCD, backlit
800 x 600 pixels (SVGA)

Colour TFT LCD, backlit
320 x 240 pixels (QVGA)

Colour TFT LCD, backlit
640 x 480 pixels (VGA)

Colour TFT LCD, backlit
800 x 600 pixels (SVGA)

7.5"

10.4"

12.1"

5.7"

10.4"

12.1"

Via touch screen

–
–
–
–

96 MB Flash EPROM

By 4 GB SD card

Limited by capacity of internal Flash EPROM memory or of SD card

Unlimited (8000 variables max.)

Alphanumeric, bitmap, bargraph, gauge, tank, tank level indicator, curves, polygon, button, LED

32 groups of 64 recipes comprising 1024 ingredients max.

Yes, with log

Yes

Built-in

–
–

Uni-TE (2), Modbus, Modbus TCP/IP (1) and for PLC brands: Mitsubishi, Omron, Allen-Bradley and Siemens

RS 232C (COM1) and RS 485 (COM2)

1 type A host connector + 1 mini-B connector

Ethernet TCP/IP (10BASE-T/100BASE-TX), Modbus Plus and Fipway via USB gateway

RS 232C (COM1) serial link and USB port for parallel printer

Vijeo Designer (on Windows XP and Windows 7)

Magelis (333 MHz RISC CPU)

HMI GTO4310

HMI GTO5310

HMI GTO6310

HMI GTO2315

HMI GTO5315

HMI GTO6315

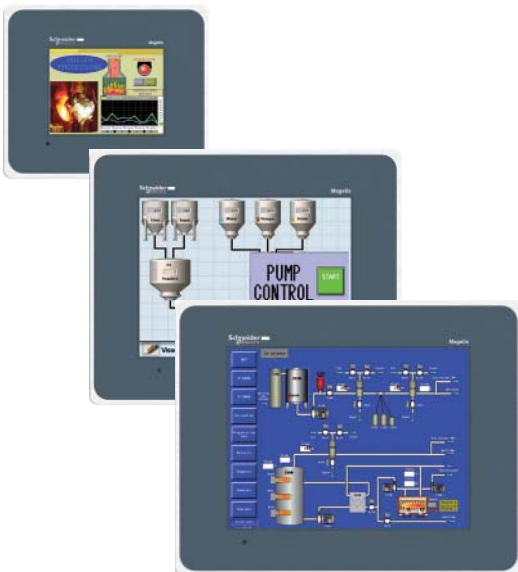
21



More technical information on www.schneider-electric.com



Magelis colour touch screen terminals HMI GTO●●●●0 in 5 sizes from 3.5" to 12.1" (standard version)



Magelis colour touch screen terminals HMI GTO●●●●5 in 3 sizes from 5.7" to 12.1" ("Stainless Steel" version)

Overview

The Optimum Advanced Panels (Magelis GTO) touch screen panels offer includes:

- A range of 8 colour touch screen terminals (TFT technology), available in a choice of 5 sizes
 - 3.5"
 - 5.7"
 - 7": 7 Wide and 7.5" (front identical in size)
 - 10.4"
 - 12.1"
 - A range of 3 colour TFT touch screens available in 3 sizes:
 - 5.7"
 - 10.4"
 - 12.1"
- with front featuring a stainless steel frame, dedicated to applications in harsh environments (food & beverage and pharmaceutical).

Operation

Magelis GTO Advanced Panels feature optimized information and communication technologies, which, depending on the model, include:

- High level of communication (embedded Ethernet, multilink, Web server and FTP, e-mail)
- External storage of data (SD memory card and USB memory stick) for storing production data and backing up applications
- Management of peripherals: printers, bar code readers, etc.

These terminals offer an excellent level of technical performance designed principally for use by OEM customers.

Environment

The Magelis GTO optimized range has been designed in accordance with numerous standards, certifications and requirements:

- Standards: EN 61131-2, 61000-6-2 and UL508.
- Certifications:
 - CE, C-tick, GOST-R, KCC
 - Atex and UL Hazardous location (pending)
 - Marine certifications (pending).
- Operating temperature: up to 55°C
- Degree of protection (according to IEC 60529):
 - IP 65 for standard version products
 - IP 67 for standard version products fitted with a cover for harsh environments (see accessories page 22)
 - IP 66K for "Stainless Steel" version products
- Resistance to high-pressure cleaning (conforming to DIN 40050-9): up to 10 bar for "Stainless Steel" version products.



Display of a video sequence

Configuration

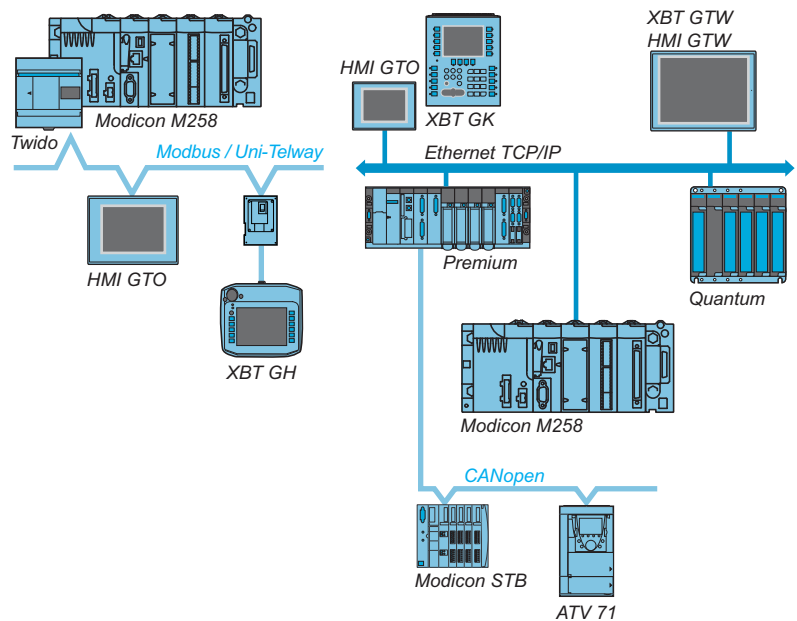
Like all the other Magelis Advanced Panels, Magelis GTO Optimum Advanced Panels can be configured using Vijeo Designer software in a Windows XP and Windows 7 environment.

Vijeo Designer software boasts an advanced user interface with many configurable windows, enabling projects to be developed quickly and easily.

The Magelis GTO range is compatible with Vijeo Designer version V6.1 or later.

See page 36349/2.

Communication



Optimum Advanced Panels communicate with PLCs via one or two integrated serial links, using communication protocols:

- Schneider Electric (Uni-TE, Modbus)
- Third-party: Mitsubishi Electric, Omron, Allen-Bradley and Siemens

Depending on the model, they can be connected to Ethernet TCP/IP networks using:

- A Modbus TCP protocol
- An Ethernet TCP/IP protocol
- or a third party protocol

Functions

Optimum Advanced Panels offer the following functions:

- Display of animated synoptic views with 8 types of animation (pressing the touch panel, colour changes, filling, movement, rotation, size, visibility and value display)
- Control, modification of numeric and alphanumeric values
- Display of current date and time
- Real-time and trending curves with log
- Alarm display, alarm log and management of alarm groups
- Multiwindow management
- Operator-initiated page calls
- Multilingual application management (10 languages at the same time)
- Recipe management
- Data processing via Java script
- Storage of the application and logs on external application memory card in SD format or USB stick
- Management of serial printers, barcode readers

MachineStruxure™



SoMachine software platform



Vijeo Designer configuration software

Architectures and communication

The Magelis GTO Optimum range is perfectly integrated in the MachineStruxure™ (1) automation solutions offer, which helps machine manufacturers (OEMs) to quickly design optimized machines (in terms of cost and energy efficiency).

MachineStruxure™ solutions are based on high performance control platforms and a single software package: SoMachine. SoMachine allows the development, commissioning and programming of machines. SoMachine version 3.1 allows programming of terminals in the Magelis GTO range using Vijeo Designer software.

Optimum Advanced Panels have been designed for PlantStruxure™ (2) and MachineStruxure™ (1) architectures as well as for Transparent Ready equipment (combination of Web and Ethernet TCP/IP technologies). Therefore, all panels with an Ethernet port feature a built-in FTP server for data file transfer and a Web Gate function for remote access to the application of the panel from a PC with an Internet browser.

Vijeo Designer also allows Magelis Advanced Panels to browse HTML pages and send e-mails.

PlantStruxure™

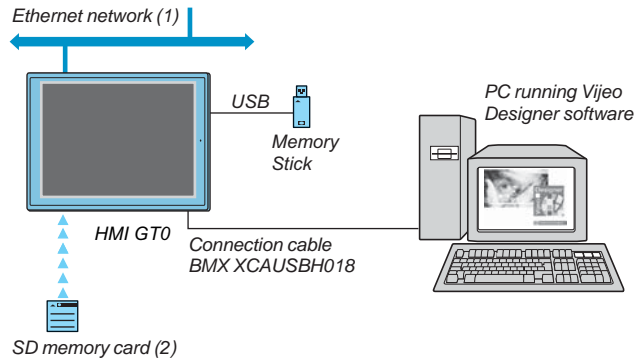
(1) For more information on the "MachineStruxure™" concept, please consult our catalogue "Automation solutions for industrial machines".

(2) For more information on the "PlantStruxure™" concept, please consult our website www.schneider-electric.com/Solutions/Process and Machines Management.

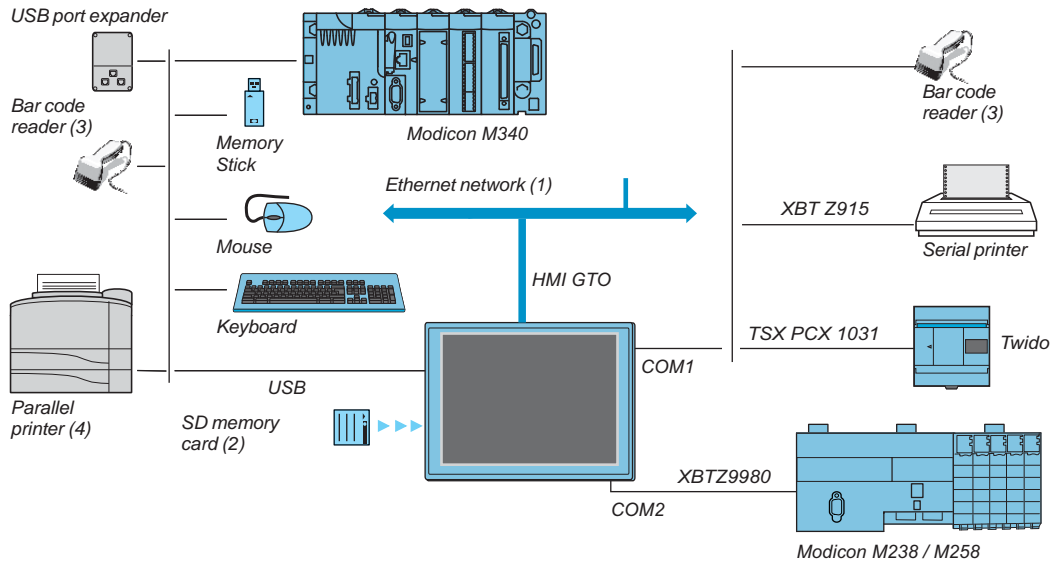
Panel operating modes

The following illustrations show the equipment that can be connected to Optimum Advanced Panels according to their two operating modes.

Edit mode



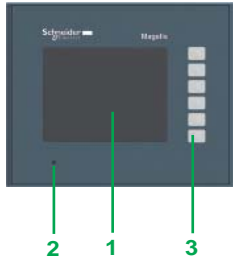
Operating mode



- (1) With HMI GTO●●1●.
- (2) Memory card, except HMI GTO1300/1310/2300.
- (3) Validated with DataLogic Gryphon bar code reader.
- (4) Validated with Hewlett Packard printer via USB/PIO converter.

Operator dialogue terminals Magelis™ GTO Optimum Advanced Panels Panels with 3.5" touch screen

Common front



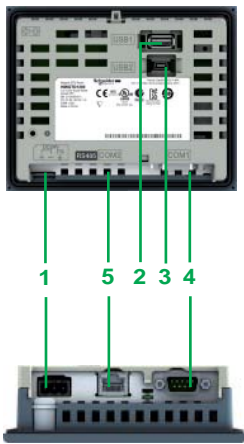
Description

Magelis HMI GTO1300 / 1310 Advanced Panels

HMI GTO1300 and HMI GTO1310 panels have the following features on the front:

- 1 A touch screen for displaying synoptic views (3.5" colour TFT)
- 2 A multicolour indicator (green, orange and red) showing the panel's operating mode
- 3 Six function keys (F1, F2, F3, F4, F5 and F6)

Rear HMI GTO1300

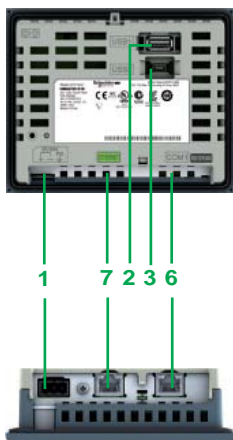


Underside HMI GTO1300

The HMI GTO1300 panel has the following features on the rear and underside:

- 1 A removable screw terminal block for 24 V $\bar{\bar{\bar{~}}}$ power supply
- 2 A type A USB host connector for connecting peripherals, transferring applications and Modicon M340 terminal port communication
- 3 A mini-B USB connector for application transfer
- 4 A 9-way male SUB-D connector for RS 232C serial link to PLCs (COM1)
- 5 An RJ45 connector for RS 485 serial link to PLCs (COM2)

Rear HMI GTO1310



Underside HMI GTO1310

The HMI GTO1310 panel has the following features on the rear and underside:

- 1 A removable screw terminal block for 24 V $\bar{\bar{\bar{~}}}$ power supply
- 2 A type A USB host connector for connecting peripherals, transferring applications and Modicon M340 terminal port communication
- 3 A mini-B USB connector for application transfer
- 6 An RJ45 connector for RS 232C or RS 485 serial link to PLCs (COM1)
- 7 An RJ45 connector for Ethernet TCP/IP link, 10BASE-T/100BASE-TX

Operator dialogue terminals

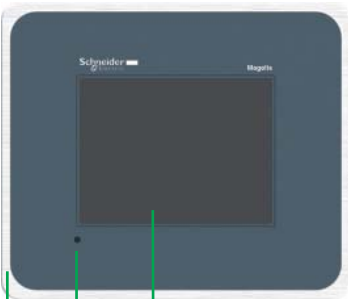
Magelis™ GTO Optimum Advanced Panels

Panels with 5.7" touch screen, standard and Stainless Steel version

Front

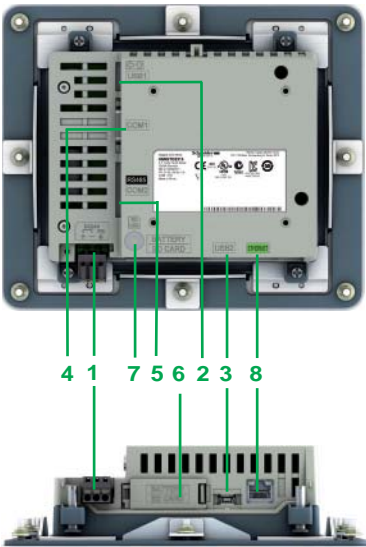


2 1



3 2 1

Rear HMI GTO2315



4 1 7 5 6 2 3 8

Underside HMI GTO2315

Description

Magelis Advanced Panels HMI GTO2300 / 2310 (standard version) and HMI GTO2315 (Stainless Steel version)

HMI GTO2300 and HMI GTO2310 panels have the following features on the front:

- 1 A touch screen for displaying synoptic views (5.7" colour TFT)
- 2 A multicolour indicator (green, orange and red) showing the panel's operating mode

The HMI GTO2315 panel has the following features on the front:

- 1 A touch screen for displaying synoptic views (5.7" colour TFT)
- 2 A multicolour indicator (green, orange and red) showing the panel's operating mode
- 3 A stainless steel frame, for food & beverage environments. Only this product provides IP 66K degree of protection.

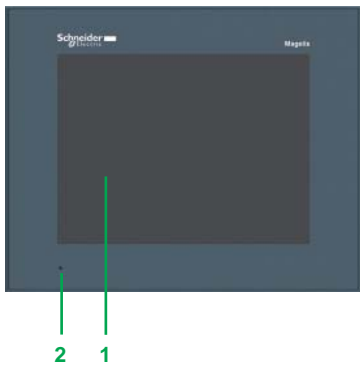
All 3 of these panels have the following features on the rear and underside:

- 1 A removable screw terminal block for 24 V $\bar{\text{---}}$ power supply
- 2 A type A USB host connector for connecting peripherals, transferring applications and Modicon M340 terminal port communication
- 3 A mini-B USB connector for application transfer
- 4 A 9-way male SUB-D connector for RS 232C serial link to PLCs (COM1)
- 5 An RJ45 connector for RS 485 serial link (COM2)

On HMI GTO2310 and HMI GTO2315 only:

- 6 A slot for SD memory card, with hinged cover
- 7 LED indicating presence of the SD memory card
- 8 An RJ45 connector for Ethernet TCP/IP link, 10BASE-T/100BASE-TX

Front



Description

Magelis Advanced Panels HMI GTO3510 / 4310

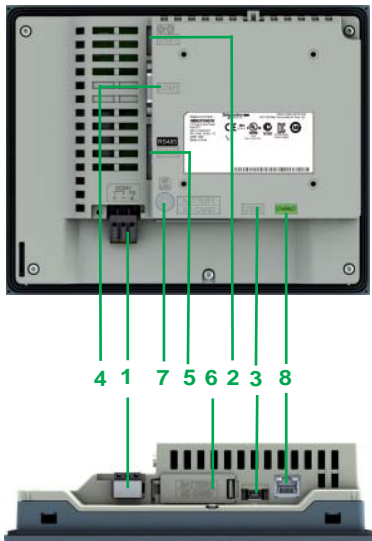
The HMI GTO3510 panel has the following features on the front:

- 1 A touch screen for displaying synoptic views (7.0" Wide colour TFT)
- 2 A multicolour indicator (green, orange and red) showing the panel's operating mode
- 3 Eight function keys (F1, F2, F3, F4, F5, F6, F7 and F8)

The HMI GTO4310 panel has the following features on the front:

- 1 A touch screen for displaying synoptic views (7.5" colour TFT)
- 2 A multicolour indicator (green, orange and red) showing the panel's operating mode

Rear



Underside

Both terminals have the following features on the rear and underside:

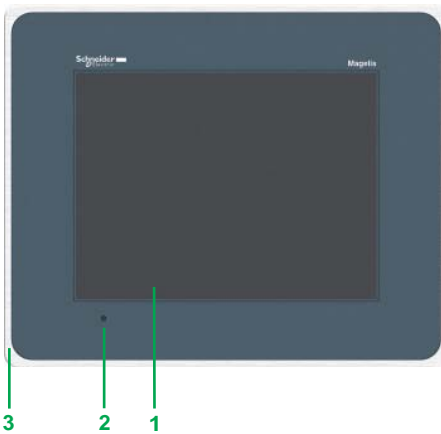
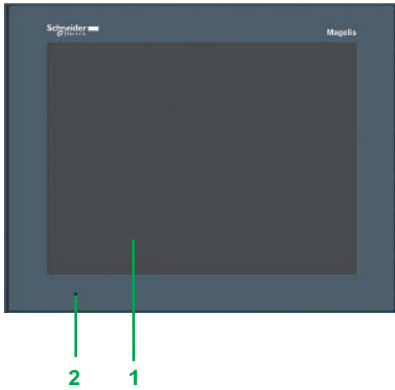
- 1 A removable screw terminal block for 24 V $\bar{\text{---}}$ power supply
- 2 A type A USB host connector for connecting peripherals, transferring applications and Modicon M340 terminal port communication
- 3 A mini-B USB connector for application transfer
- 4 A 9-way male SUB-D connector for RS 232C serial link to PLCs (COM1)
- 5 An RJ45 connector for RS 485 serial link (COM2)
- 6 A slot for SD memory card, with hinged cover
- 7 LED indicating presence of the SD memory card
- 8 An RJ45 connector for Ethernet TCP/IP link, 10BASE-T/100BASE-TX with an activity LED

Operator dialogue terminals

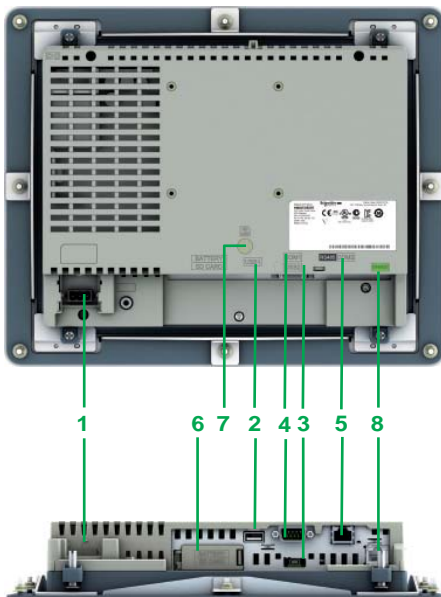
Magelis™ GTO Optimum Advanced Panels

Panels with 10.4" touch screen, standard and Stainless Steel version

Front



Rear



Underside

Description

Magelis Advanced Panels HMI GTO5310 (standard version) and HMI GTO5315 (Stainless Steel version)

The HMI GTO5310 panel has the following features on the front:

- 1 A touch screen for displaying synoptic views (10.4" colour TFT)
- 2 A multicolour indicator (green, orange and red) showing the panel's operating mode

The HMI GTO5315 panel has the following features on the front:

- 1 A touch screen for displaying synoptic views (10.4" colour TFT)
- 2 A multicolour indicator (green, orange and red) showing the panel's operating mode
- 3 A stainless steel frame, for food & beverage environments. Only this product provides IP 66K degree of protection.

Both terminals have the following features on the rear and underside:

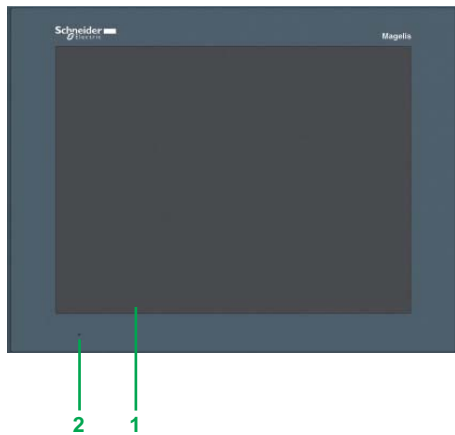
- 1 A removable screw terminal block for the 24 V \square power supply
- 2 A type A USB host connector for connecting peripherals, transferring applications and Modicon M340 terminal port communication
- 3 A mini-B USB connector for application transfer
- 4 A 9-way male SUB-D connector for RS 232C serial link to PLCs (COM1)
- 5 An RJ45 connector for RS 485 serial link (COM2)
- 6 A slot for SD memory card, with hinged cover
- 7 LED indicating presence of the SD memory card
- 8 An RJ45 connector for Ethernet TCP/IP link, 10BASE-T/100BASE-TX with an activity LED

Operator dialogue terminals

Magelis™ GTO Optimum Advanced Panels

Panels with 12.1" touch screen, standard and Stainless Steel version

Front

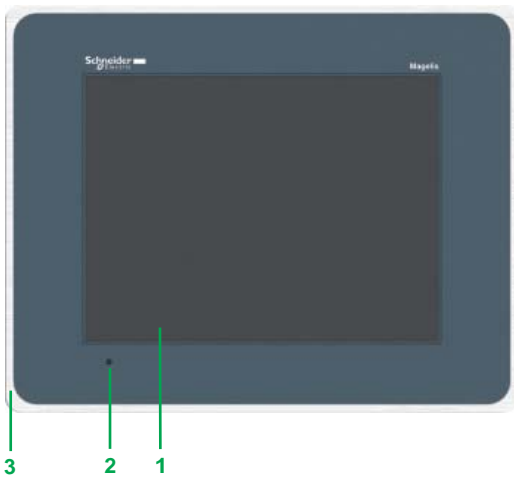


Description

Magelis Advanced Panels HMI GTO6310 (standard version) and HMI GTO6315 (Stainless Steel version)

The HMI GTO6310 panel has the following features on the front:

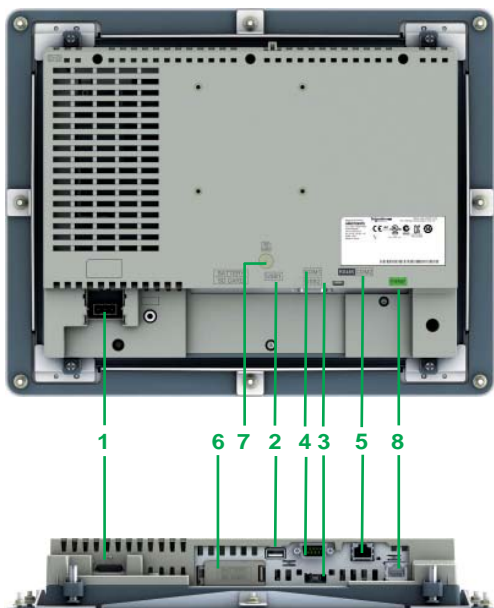
- 1 A touch screen for displaying synoptic views (12.1" colour TFT)
- 2 A multicolour indicator (green, orange and red) showing the panel's operating mode



The HMI GTO6315 panel has the following features on the front:

- 1 A touch screen for displaying synoptic views (12.1" colour TFT)
- 2 A multicolour indicator (green, orange and red) showing the panel's operating mode
- 3 A stainless steel frame, for food & beverage environments. Only this product provides IP 66K degree of protection.

Rear



Both terminals have the following features on the rear and underside:

- 1 A removable screw terminal block for the 24 V $\overline{\text{DC}}$ power supply
- 2 A type A USB host connector for connecting peripherals, transferring applications and Modicon M340 terminal port communication
- 3 A mini-B USB connector for application transfer
- 4 A 9-way male SUB-D connector for RS 232C serial link to PLCs (COM1)
- 5 An RJ45 connector for RS 485 serial link (COM2)
- 6 A slot for SD memory card, with hinged cover
- 7 LED indicating presence of the SD memory card
- 8 An RJ45 connector for Ethernet TCP/IP link, 10BASE-T/100BASE-TX with an activity LED

Underside

Operator dialogue terminals

Magelis™ GTO Optimum Advanced Panels

Panels with 3.5" to 12.1" touch screen



Optimum 24 V DC panels with colour touch screen, standard version (1)							
Data entry method	Number of ports	Application memory capacity	Memory expansion by SD card	Serial link	Embedded Ethernet	Reference	Weight kg
3.5" QVGA TFT LCD screen, 320 x 240 pixels							
Via touch screen + 6 function keys	2 USB	64 MB	No	1 COM 1 1 COM 2	–	HMI GTO1300	0.400
	2 USB	96 MB	No	1 COM 1	1	HMI GTO1310	0.400



5.7" QVGA TFT LCD screen, 320 x 240 pixels							
Via touch screen	2 USB	64 MB	No	1 COM 1 1 COM 2	–	HMI GTO2300	0.800
	2 USB	96 MB	Yes (2)	1 COM 1 1 COM 2	1	HMI GTO2310	0.800



7.0" WVGA (Wide) TFT LCD screen, 800 x 480 pixels							
Via touch screen + 8 function keys	2 USB	96 MB	Yes (2)	1 COM 1 1 COM 2	1	HMI GTO3510	1.200



7.5" VGA TFT LCD screen, 640 x 480 pixels							
Via touch screen	2 USB	96 MB	Yes (2)	1 COM 1 1 COM 2	1	HMI GTO4310	1.200



10.4" VGA TFT LCD screen, 640 x 480 pixels							
Via touch screen	2 USB	96 MB	Yes (2)	1 COM 1 1 COM 2	1	HMI GTO5310	2.000



12.1" SVGA TFT LCD screen, 800 x 600 pixels							
Via touch screen	2 USB	96 MB	Yes (2)	1 COM 1 1 COM 2	1	HMI GTO6310	2.500



Optimum 24 V DC terminals with colour touch screen, Stainless Steel version (1) (3)							
Data entry method	Number of ports	Application memory capacity	Compact Flash memory	Composite video input	Embedded Ethernet	Reference	Weight kg
5.7" QVGA screen, 320 x 240 pixels, with stainless steel frame (IP 66K)							
Via touch screen	2 USB	96 MB	Yes (2)	1 COM 1 1 COM 2	1	HMI GTO2315	1.200
10.4" VGA screen, 640 x 480 pixels, with stainless steel frame (IP 66K)							
Via touch screen	2 USB	96 MB	Yes (2)	1 COM 1 1 COM 2	1	HMI GTO5315	2.500
12.1" SVGA screen, 800 x 600 pixels, with stainless steel frame (IP 66K)							
Via touch screen	2 USB	96 MB	Yes (2)	1 COM 1 1 COM 2	1	HMI GTO6315	3.000

(1) Terminals supplied with fixing kit (screw clips), locking device for USB connectors and instruction sheet. Setup documentation for Magelis GTO terminals is included in electronic format with Vijeo Designer configuration software.

(2) Memory expansion possible with 4 GB SD card **HMI ZSD4G**, see accessories page 22.

(3) The Stainless Steel version includes a front with stainless steel frame. Only this version provides IP 66K degree of protection.

Operator dialogue terminals

Magelis™ Advanced Panels

Separate parts for terminals

Magelis GT/GTO/GK/GH/GTW



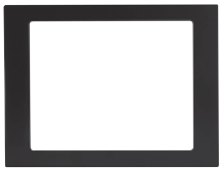
XBT ZGM●●●

Separate components

Description	Characteristics	Compatible with terminals	Reference	Weight kg
Compact Flash memory cards	128 MB, blank	XBT except XBT GT1●●●/GT2110	XBT ZGM128	0.050
	256 MB, blank		XBT ZGM256	0.050
	512 MB, blank		MPC YN0 0CFE 00N	0.050
	1 GB, blank		MPC YN0 0CF1 00N	–
	2 GB, blank		MPC YN0 0CF2 00N	–
	4 GB, blank	XBT GTW only	MPC YN0 0CF4 00N	–
SD memory card	4 GB, blank	HMI GTO only	HMI ZSD4G	–
Maintenance kits	Includes fixings and seals for panel mounting	MPC ST1 1N●J 00T (8.4" screen)	MPC YK1 0MNT KIT	–
		MPC ST2 1N●J20● (12" screen)	MPC YK2 0MNT KIT	–
		MPC ST5 2NDJ 10 (15" screen)	MPC YK5 0MNT KIT	–
Protective sheets (5 peel-off sheets)	–	XBT GT1105 / GT1135 / GT1335	XBT ZG60	–
		XBT GT1100 / GT1130	XBT ZG61	–
		XBT GT21●0 / GT2220 / GT2●30	XBT ZG62	0.200
		XBT GT4230 / GT43●0	XBT ZG64	0.200
		XBT GT53●0 / XBT GT54●0	XBT ZG65	0.200
		XBT GT5230 / GT63●0	XBT ZG66	0.200
		XBT GK 2●●0 / GH2460	XBT ZG68	–
		XBT GK 5330	XBT ZG69	–
		XBT GT7340 / HMI GTW 7353	MPC YK5 0SPS KIT	0.200
		XBT GTW450	MPC YK1 0SPS KIT	–
		XBT GTW652	MPC YK2 0SPS KIT	–
		HMI GTO1300 / 1310	HMI ZG60	–
		HMI GTO2300 / 2310 / 2315	HMI ZG62	–
		HMI GTO3510	HMI ZG63	–
		HMI GTO4310	HMI ZG64	–
		HMI GTO5310 / 5315	HMI ZG65	–
HMI GTO6310 / 6315	HMI ZG66	–		
Plastic protective covers Sold in lots of 5	–	XBT GT2●●●	XBT ZG70	–
		XBT GT53●●	XBT ZG71	–
Plastic covers for harsh environments (IP 67 protection)	–	HMI GTO1300 / HMI GTO1310	HMI ZECOV1	–
		HMI GTO2300 / HMI GTO2310	HMI ZECOV2	–
		HMI GTO3510 / HMI GTO4310	HMI ZECOV4	–
		HMI GTO5310 / HMI GTO5315	HMI ZECOV5	–
		HMI GTO6310 / HMI GTO6315	HMI ZECOV6	–

Separate components (continued)				
Description	Characteristics	Compatible with terminals	Reference	Weight kg
Spring fixing clips Sold in lots of 12	Number of spring clips depending on terminal	XBT GT	XBT Z3002	–
Wall mounting kit	Fixing components for mounting XBT GH terminal on a wall	XBT GH	XBT ZGWMKT	–
Neck strap	For use with XBT GH hand-held terminal	XBT GH	XBT ZGNSTP	–

Description	Description	Length m.	Reference	Weight (kg)
Mechanical adaptors for substitution of terminals of the Magelis range	From XBT F032●10 to XBT GT2●●0	–	XBT ZGCO1	–
	From XBT G2110 to XBT GT2●●0	–	XBT ZGCO2	–
	From XBT F034●●● to XBT GT53●0	–	XBT ZGCO3	–
	From XBT G5330 to XBT GT5330 From XBT GT5230 to HMI GTO5310	–	XBT ZGCO4	–
Remote USB port for terminals XBT GT2●●0...GT7340, XBT GT1●●5, XBT GK●●●, XBT GTW●●●	Enables the USB type A port to be located remotely on the rear of the XBT terminal on a panel or enclosure door (Ø 21 mm fixing device)	1	XBT ZGUSB	–
Remote USB port for terminals XBT GT2●●0...GT7340, XBT GT1●●5, XBT GK●●●, XBT GTW●●●, HMI GTO	Enables the USB mini-B port to be located remotely on the rear of the XBT or HMI GTO terminal on a panel or enclosure door (Ø 21 mm fixing device)	1	XBT ZGUSBB	–
Remote USB port for HMI GTO panel	Enables the USB mini-B port to be located remotely on the rear of the HMI GTO panel, on a panel or enclosure door (Ø 21 mm fixing device)	1	HMI ZSUSBB	–
Adaptor for Compact Flash cards	Enables a PC with a PCMCIA card slot to take a Compact Flash card	–	XBT ZGADT	0.050



XBT ZGCO●



XBT ZGUSB

Operator dialogue terminals

Magelis™ Advanced Panels

Replacement parts for terminals

Magelis GT/GTO/GK/GH/GTW

Spare parts			
Description	For use with terminals	Reference	Weight kg
Seals	XBT GH (for junction box)	XBT ZG5H	–
	XBT GT1100 / GT1130 / GT1105 / GT1135 / GT1335	XBT ZG51	0.030
	XBT GT21●0 / GT2220 / GT2330	XBT ZG52	0.030
	XBT GT4230 / GT43●0	XBT ZG54	0.030
	XBT GT53●0	XBT ZG55	0.030
	XBT GT5230 / GT63●0	XBT ZG56	0.030
	XBT GT7340	XBT ZG57	0.030
	XBT GK2●●0	XBT ZG58	–
	XBT GK5330	XBT ZG59	–
	HMI GTO1300 / 1310	HMI ZG51	–
	HMI GTO2300 / 2310	HMI ZG52	–
	HMI GTO2315	HMI ZG522	–
	HMI GTO3510 / 4310	HMI ZG54	–
	HMI GTO5310	HMI ZG55	–
	HMI GTO5315	HMI ZG552	–
	HMI GTO6310	HMI ZG56	–
	HMI GTO6315	HMI ZG562	–
Backlighting lamps	XBT GT5230	XBT ZG43	0.100
	XBT GT53●0	XBT ZG45	0.200
	XBT GT53●0 PV ≥ 3 / XBT GT54●0	XBT ZG45B	0.200
	XBT GT63●0	XBT ZG46	0.200
	XBT GT7340	XBT ZG47	0.200
USB fastenings Sold in lots of 5	XBT GT1●●0 / GT2●●0 / GT4●●0	XBT ZGCLP1	–
	XBT GT1●●5 / GT5●●0 / GT6●●0 / GT7●●0	XBT ZGCLP2	–
	XBT GK	XBT ZGCLP3	–
	HMI GTO (USB type A)	HMI ZGCLP1	–
	HMI GTO (USB type mini-B)	HMI ZSCLP3	–
Fixing kit	4 clips and screws (max. tightening torque: 0.5 Nm), supplied with all XBT GT terminals	XBT ZG FIX	0.100
	4 clips and screws (max. tightening torque: 0.5 Nm), supplied with all HMIGTO●●●0 terminals	HMI ZGFIX	0.030
	8 nuts and 4 L-shaped brackets, supplied with all HMIGTO●●●5 terminals	HMI ZGFIX2	0.030
Extension connector protection	XBT GT/GK, except XBT GT1●●●	XBT ZGCNC	0.030
Power supply connector Sold in lots of 5	XBT GT1●●● / GT2●●● / GT4●●●	XBT ZGPWS1	0.030
	XBT GK2●●●		
	XBT GT5●●● / 6●●● / 7●●●	XBT ZGPWS2	–
	XBT GK5●●●		
	XBT GTW●●●		
	HMI GTO (direct connection)	HMI ZGPWS	0.030
	HMI GTO (right angle connection)	HMI ZGPWS2	0.030
Auxiliary connector	XBT GT4●●● / 5●●● / 6●●● / 7●●●, XBT GK5●●●	XBT ZGAUX	–
Sheets of customizable labels for XBT GK/GH terminals Sold in lots of 10	XBT GK2●●0	XBL YGK2	0.030
	XBT GK5●●●	XBL YGK5	–
	XBT GH	XBL YGH2	–
Sheets of customizable labels for HMI GTO terminals	HMI GTO1300 / 1310	HMI ZLYGO1	–
	HMI GTO3510	HMI ZLYGO3	–
Stylus Sold in lots of 5	XBT GH	XBT ZGPEN	–
Emergency stop button protection	XBT GH	XBT ZGESGD	–
Hand strap	XBT GH	XBT ZGHSTP	–
Battery	HMI GTO except HMI GTO1300 / 1310 / 2300	HMI ZGBAT	–

Operator dialogue terminals

Magelis™ Advanced Panels

Connection accessories for terminals

Magelis GT/GTO/GK/GH/GTW

Cables for application transfer - Terminal to PC

Type of terminal (terminal end connector)	Connector (PC end)	Type	Length m	Reference (1)	Weight kg
XBT GT2●●0...GT7340, XBT GT1●●5, XBT GK, XBT GH XBT GTW	USB	TTL	2	XBT ZG935	0.290
HMI GTO	USB	USB	1.80	BMX XCAUSBH018	–

Printer connection cables

Type of printer (2)	Connector (printer end)	Type	Length m	Reference	Weight (kg)
Serial printer for XBT GT/GK/GTW terminals (except XBT GT1●●●) and HMI GTO panels (except HMI GTO1310)	SUB-D female 25-way	RS 232C (COM1)	2.5	XBT Z915	0.200
Serial printer for XBT GT/GK/GTW terminals and HMI GTO panels	USB	RS 232C (COM1)	1.80	HMI ZURS	–

Adaptors and isolation boxes for XBT terminals and HMI GTO panels

These 3 adaptors are used with the connection cables depending on the application concerned.

For example, the XBT Z968 cable is used with the XBT ZG909 adaptor, to connect a Twido controller (via its terminal port) to an XBT GT2●●0 terminal (via its COM1 port).

Description	Type of connector (automation product end)	Physical link (XBT or HMI GTO terminal end)	Length m	Reference	Weight kg
Adaptor for XBT GT1●●● (COM1 port) XBT GT2●●0...7340 XBT GK (COM2 port) HMI GTO	25-way SUB-D connector	RJ 45 connector	0.2	XBT ZG939	–
Adaptors for XBT GT2●●0...7340 XBT GK (COM1 port) XBT GTW (COM1 and COM2 ports) HMI GTO (COM1 port)	25-way SUB-D connector	9-way SUB-D connector, RS 485 on XBT terminal only	0.2	XBT ZG909 (3)	–
		9-way SUB-D connector, RS 232C	0.2	XBT ZG919	–



XBT ZGI485

Description	For use with	Link to isolate	Reference	Weight kg
Serial link isolation units for XBT GT2●●0...7340 XBT GK HMI GTO	- Connection to serial port of XBT terminal - Isolated link on 9-way SUB-D connector (4) - Box power supply via USB port of terminal. Incorporates a USB port expander.	RS 232C/RS 485 (COM1)	XBT ZGI232	–
		RS 485 (COM2)	XBT ZGI485	–

(1) Cable included (depending on model) with Vijeo Designer software packages.

(2) Parallel printer (see page 15).

(3) This adaptor cannot be used with Magelis GTO terminals.

(4) Male connector with XBT ZGI232, female connector with XBT ZGI485.

Operator dialogue terminals

Magelis™ Advanced Panels

Connection accessories for terminals

Magelis GT/GTO/GK/GH/GTW

Cables for connecting Magelis terminals to other Schneider Electric products

Automation product type	Type of connector (automation product end)	Protocol	Type of terminal	Link	On port	Length m	Reference	Weight kg
Twido, Nano, Modicon TSX Micro, Modicon Premium	Terminal port, 8-way female mini-DIN	Uni-TE (V1/V2), Modbus	XBT GT1●●●	RS 485	COM1	2.5	XBT Z9780	0.180
			XBT GT2●●0...7340		COM2	10	XBT Z9782	–
			XBT GT2●●0...7340	RS 485	COM1	2.5	XBT Z968 + (2)	0.180
			XBT GK		5	XBT Z9681 + (2)	0.340	
			XBT GT2●●0...7340	RS 485	COM1	2.5	XBT Z9018	0.170
XBT GK XBT GH (Junction box)								
XBT GTW●●	RS 232	COM1	2.5	TSX PCX 1031	–			
XBT GH (Junction box) HMI GTO								
Modicon M340 Modicon M238 Modicon M258	RJ45	Modbus	XBT GT1●●●	RS 485	COM1	2.5	XBT Z9980	0.230
			HMI GTO		COM2	10	XBT Z9982	–
			XBT GT2●●0...7340	RS 485	COM1	1.8	XBT Z938 + (2)	0.230
			XBT GK XBT GH (Junction box)		2.5	XBT Z9008	–	
USB Mini-B	Terminal port	XBT GT (4) XBT GK/GTW HMI GTO	USB	USB type A	1.8 4.5	BMX XCA USB H018 BMX XCA USB H045	0.230 –	
Modicon Premium with TSX SCY 2160●	25-way female SUB-D	Uni-TE (V1/V2)	XBT GT1●●●	RS 485	COM1	2.5	XBT Z918 + (1)	0.230
			XBT GT2●●0...7340	RS 485	COM1	2.5	XBT Z918 + (2)	0.230
XBT GK XBT GH (Junction box)								
Modicon Quantum	9-way male SUB-D	Modbus	XBT GT1●●●	RS 232C	COM1	2.5	XBT Z9710 + (1)	0.210
			XBT GT2●●0...7340	RS 232C	COM1	2.5	XBT Z9710 + (3)	0.210
			XBT GK / GTW XBT GH (Junction box) HMI GTO		3.7	990 NAA 263 20	0.290	
Modicon STB	HE13 (NIM, network interface module)	Modbus	XBT GT1●●●	RS 232C	COM1	2.5	XBT Z988 + (1) XBT Z9715	0.220 –
			XBT GT2●●0...7340	RS 232C	COM1	2	STB XCA 4002	0.210
			XBT GK / GTW XBT GH (Junction box) HMI GTO		2.5	XBT Z988 + (3)	0.220	
Modicon Momentum M1	RJ45 (port 1 on Momentum M1)	Modbus	XBT GT1●●●	RS 232C	COM1	2.5	XBT Z9711 + (1)	0.210
			XBT GT2●●0...7340	RS 232C	COM1	2.5	XBT Z9711 + (3)	0.210
			XBT GK XBT GTW XBT GH (Junction box) HMI GTO					
TeSys U, T starters ATV 312/61/71 variable speed drives ATS 48 starters Lexium 05 Preventa XPSMC	RJ45	Modbus	XBT GT1●●●	RS 485	COM1	3	VW3 A8 306 R30	0.060
			XBT GT2●●0...7340		COM2	2.5	XBT Z9980	–
			XBT GK HMI GTO	RS 485	COM1	10	XBT Z9982	–
			XBT GT2●●0...7340		COM1	2.5	XBT Z9008	–
XBT GK XBT GH (Junction box)								

(1) Adaptor **XBT ZG939** to be used with cables with " + (1) " after the reference.

(2) Adaptor **XBT ZG909** to be used with cables with " + (2) " after the reference.

(3) Adaptor **XBT ZG919** to be used with cables with " + (3) " after the reference.

(4) Except **XBT GT1●●0**.



TSX PCX 1031

Cables and adaptors for connecting Magelis terminals to third-party PLCs

Mitsubishi, Melsec PLCs

Description Driver used	Type of terminal	Type of connector (fitted to cable, excluding adaptor)	Physical link (COM1)	Length m	Reference	Weight kg
Connection cable, A CPU (SIO)	XBT GT2●●0...7340 XBT GK XBT GH (Junction box)	9-way SUB-D 25-way SUB-D	RS 422	5	XBT ZG9773	–
Connection cable, Q Link (SIO)	XBT GT2●●0...7340 XBT GK / GTW XBT GH (Junction box) HMI GTO	9-way SUB-D 9-way SUB-D	RS 232C	5	XBT ZG9772	–
Connection cable, Q CPU (SIO)	XBT GT2●●0...7340 XBT GK / GTW XBT GH (Junction box) HMI GTO	9-way SUB-D mini-DIN	RS 232C	5	XBT ZG9774	–
Connection cable, A Link (SIO)	XBT GT2●●0...7340 XBT GK / GTW XBT GH (Junction box) HMI GTO	9-way SUB-D 25-way SUB-D	RS 232C	5	XBT ZG9731	–
Connection cable, FX (CPU)	XBT GT2●●0...7340 XBT GK XBT GH (Junction box)	9-way SUB-D mini-DIN	RS 422	5	XBT ZG9775	–
	XBT GT1●●●	25-way SUB-D mini-DIN	RS 422	5	XBT Z980 + (1)	–
	HMI GTO	9-way SUB-D mini-DIN	RS 232/ RS 422	5	HMI Z951 ▲	–
Cable for 2-port adaptor, FX (CPU), A CPU (SIO) QnA CPU (SIO)	XBT GT2●●0...7340 XBT GK XBT GH (Junction box)	9-way SUB-D Flying leads	RS 422	5	XBT ZG9778 + (4)	–
Adaptor unit FX (CPU), A CPU (SIO) QnA CPU (SIO)	XBT GT2●●0...7340 XBT GK XBT GH (Junction box)	2-port unit Screw terminals / 2 x 9-way SUB-D	RS 422	–	XBT ZG979	–



XBT ZG9772



XBT ZG9731

Omron, Sysmac PLCs

Description Driver used	Type of terminal	Type of connector (fitted to cable, excluding adaptor)	Physical link (COM1)	Length m	Reference	Weight kg
Connection cables, Link (SIO)	XBT GT1●●●	25-way SUB-D 9-way SUB-D	RS 232C	2.5	XBT Z9740 + (1) XBT Z9743	0.210 –
	XBT GT2●●0...7340 XBT GK/GTW XBT GH (Junction box) HMI GTO	9-way SUB-D 9-way SUB-D 9-way SUB-D 25-way SUB-D	RS 232C	5	XBT ZG9740	–
			RS 232C	5	XBT ZG 9731	–
Connecting cables FINS (SIO)	XBT GT1●●●	25-way SUB-D 9-way SUB-D	RS 232C	2.5	XBT Z9740 + (1) XBT Z9743	0.210 –
	XBT GT2●●0...7340 XBT GK/GTW XBT GH (Junction box) HMI GTO	9-way SUB-D 9-way SUB-D	RS 232C	5	XBT ZG9740	–

(1) Adaptor XBT ZG939 to be used with cables with " + (1)" after the reference (see page 25).

(4) Adaptor XBT ZGCOM1 (9-way female/female SUB-D) to be used with cables with " + (4)" after the reference (XBT ZG9778).

▲ Available: 3rd quarter 2012Presentation:
page 12Description:
page 16Connections:
page 31Substitution:
page 35

Cables and adaptors for connecting Magelis terminals to third-party PLCs (continued)

Rockwell Automation, Allen-Bradley PLCs

Description Driver used	Type of terminal	Type of connector (fitted to cable, excluding adaptor)	Physical link (COM1)	Length m	Reference	Weight kg
Connection cables <i>DF1 Full Duplex</i>	XBT GT1●●●	25-way SUB-D	RS 232C	2.5	XBT Z9730 + (1)	0.210
		9-way SUB-D			XBT Z9733	–
		25-way SUB-D	RS 232C	2.5	XBT Z9731 + (1)	0.210
		8-way mini-DIN				
	XBT GT2●●0...7340 XBT GK/GTW XBT GH (Junction box) HMI GTO	9-way SUB-D 25-way SUB-D	RS 232C	5	XBT ZG9731	–
Connection cables, <i>DH485</i>	XBT GT1●●●	25-way SUB-D	RS 232C	2.5	XBT Z9734	–
		9-way SUB-D				
		25-way SUB-D	RS 485	5	XBT Z9732 + (1)	–
		8-way mini-DIN				
	XBT GT2●●0...7340 XBT GK XBT GH (Junction box)	25-way SUB-D 8-way mini-DIN	RS 485	5	XBT Z9732 + (2)	–
	HMI GTO	9-way SUB-D	RS 485	5	XBT Z9732 + (1)	–



XBT ZG9731

Siemens, Simatic PLCs

Description Driver used	Type of terminal	Type of connector (fitted to cable, excluding adaptor)	Physical link	Length	Reference	Weight kg
Connection cable, <i>PPI, S7 200</i>	XBT GT1●●●	RJ45/9-way SUB-D	RS 485 (COM1)	2.5	XBT ZG9721	–
	XBT GT2●●0...7340 XBT GK HMI GTO	RJ45/9-way SUB-D	RS 485 (COM2)			
Connection cables, <i>MPI port, S7 300/400</i>	XBT GT2●●0...7340 XBT GK/GTW XBT GH (Junction box) HMI GTO	9-way SUB-D	RS 232C (COM1)	3	XBT ZG9292	–
		9-way SUB-D				
	XBT GT2●●0...7340 XBT GK HMI GTO	RJ45/flying leads other end	RS 485 (7) (COM2)	3	VW3 A8 306 D30	0.150
		RJ45/9-way SUB-D	RS 485 (7) (COM1 or COM2) (8)	2.5	XBT ZG9721	–

Customizable cables

Description Driver used	Terminal type	Type of connector (fitted to cable, excluding adaptor)	Physical link	Length m	Reference	Weight kg
Universal cable, <i>RS 422</i>	XBT GT2●●0...7340 XBT GK XBT GH (Junction box)	9-way SUB-D/flying leads other end	RS 422 (COM1)	2.5	XBT ZG9722	0.210
Universal adaptor, <i>RS 422/485</i>	XBT GT2●●0...7340 XBT GK XBT GH (Junction box)	9-way SUB-D/Screw terminal	RS 422 (COM1)	–	XBT ZG949 + (5)	–
		9-way SUB-D/Screw terminal	RS 485 (COM2)	–	XBT ZG949 + (6)	–

(1) Adaptor **XBT ZG939** to be used with cables with " + (1) " after the reference (see page 25).

(2) Adaptor **XBT ZG909** to be used with cables with " + (2) " after the reference (see page 25).

(5) Cable to be created by user and used in conjunction with 9-way female/female SUB-D adaptor **XBT ZGCOM1**.

(6) Cable to be created by user and used in conjunction with isolation box **XBT ZGI485** and 9-way male/female SUB-D adaptor **XBT ZGCOM2**.

(7) Non-isolated RS 485 serial link, 12 Mbps (187.5 kbps with **XBT GT11●0/2110**).

(8) COM1 for HMI GTO1310, COM2 for the other terminals.

Operator dialogue terminals

Magelis™ Advanced Panels

Connection accessories for terminals

Magelis GT/GTO/GK/GH/GTW



TSX SCA 62



TSX PACC 01



TSX SCA 64



LU9 GC3



VW3 A8 306 TF10



TWDXCAISO

Connection of Magelis terminals via serial links and Ethernet network

Type of bus/network	Tap-off units	Connector (tap-off unit side)	Terminal type	Length m	Reference	Weight kg
Uni-Telway serial link	Subscriber socket TSX SCA 62	15-way female SUB-D	XBT GT1●●● (COM1)	3	VW3 A8 306	0.150
			XBT GT2●●0...7340 XBT GK (COM2) HMI GTO			
	Connection box TSX P ACC01	8-way female mini-DIN	XBT GT1●●● (COM1)	1.8	XBT Z908 + (2)	0.240
			XBT GT2●●0...7340 XBT GK (COM1) XBT GH (Junction box)			
	Connection box TSX P ACC01	8-way female mini-DIN	XBT GT1●●● (COM1)	2.5	XBT Z9780	0.180
			XBT GT2●●0...7340 XBT GK (COM2) HMI GTO			
Connection box TSX P ACC01	8-way female mini-DIN	XBT GT1●●● (COM1)	2.5	XBT Z9018	–	
		XBT GT2●●0...7340 XBT GK (COM1) XBT GH (Junction box)				
Modbus serial link	Subscriber socket TSX SCA 64	15-way female SUB-D	XBT GT1●●● (COM1)	3	VW3 A8 306	0.150
			XBT GT2●●0...7340 XBT GK (COM2) HMI GTO			
	8-port Modbus splitter box LU9 GC3	RJ45	XBT GT1●●● (COM1)	1.8	XBT Z908 + (2)	0.240
			XBT GT2●●0...7340 XBT GK (COM1) XBT GH (Junction box)			
	2-port tap-off junction TWDXCAISO TWDXCAT3RJ	RJ45	XBT GT1●●● (COM1)	2.5	XBT Z9980	–
			XBT GT2●●0...7340 XBT GK (COM1) XBT GH (Junction box)			
T-junction box	With integrated cable, RJ45 fitted	XBT GT1●●● (COM1)	1	VW3 A8 306 TF10	–	
Ethernet TCP/IP network	Hubs 499 NEH/NOH Switches 499 NES, 499 NMS, 499 NSS and 499 NOS	RJ45	XBT GT●●30 / ●●40	2	490 NTW 000 02	–
			XBT GK●●30	5	490 NTW 000 05	–
			XBT GTW●●●	12	490 NTW 000 12	–
			XBT GH (Junction box)	40	490 NTW 000 40	–
			HMI GTO	80	490 NTW 000 80	–

(2) Adaptor XBT ZG909 to be used with cables with " + (2) " after the reference, see page 25.

Operator dialogue terminals

Magelis™ Advanced Panels
 Connection accessories for terminals
 Magelis GT/GTO/GK/GH/GTW

Connection of Magelis terminals to fieldbuses				
Type of bus/network	Connection components	Type of terminal	Reference	Weight kg
FIPWAY, FIPIO	USB gateway	XBT GT / GK (1) HMI GTO	TSX CUSBFIP	–
Modbus Plus	USB gateway	XBT GT / GK (1) HMI GTO	XBT ZGUMP	–
		XBT GTW	TSX CUSBMBP	–
Profibus DP	Card on expansion bus	XBT GT / GK (1)	XBT ZGPDP	–
Device Net	Card on expansion bus	XBT GT / GK (1)	XBT ZGDVN	–

Modular regulated switch mode power supplies (2)					
Input voltage/ Output voltage	Combination with terminals	Nominal power	Nominal current	Reference	Weight kg
100...240 / 24 V single-phase wide range line supply 47...63 Hz	XBT GT1100...6340 XBT GK / GH	30 W	1.2 A	ABL 8MEM24012	0.195
	XBT GT7340 / GTW	60 W	2.5 A	ABL 7RM24025	0.255

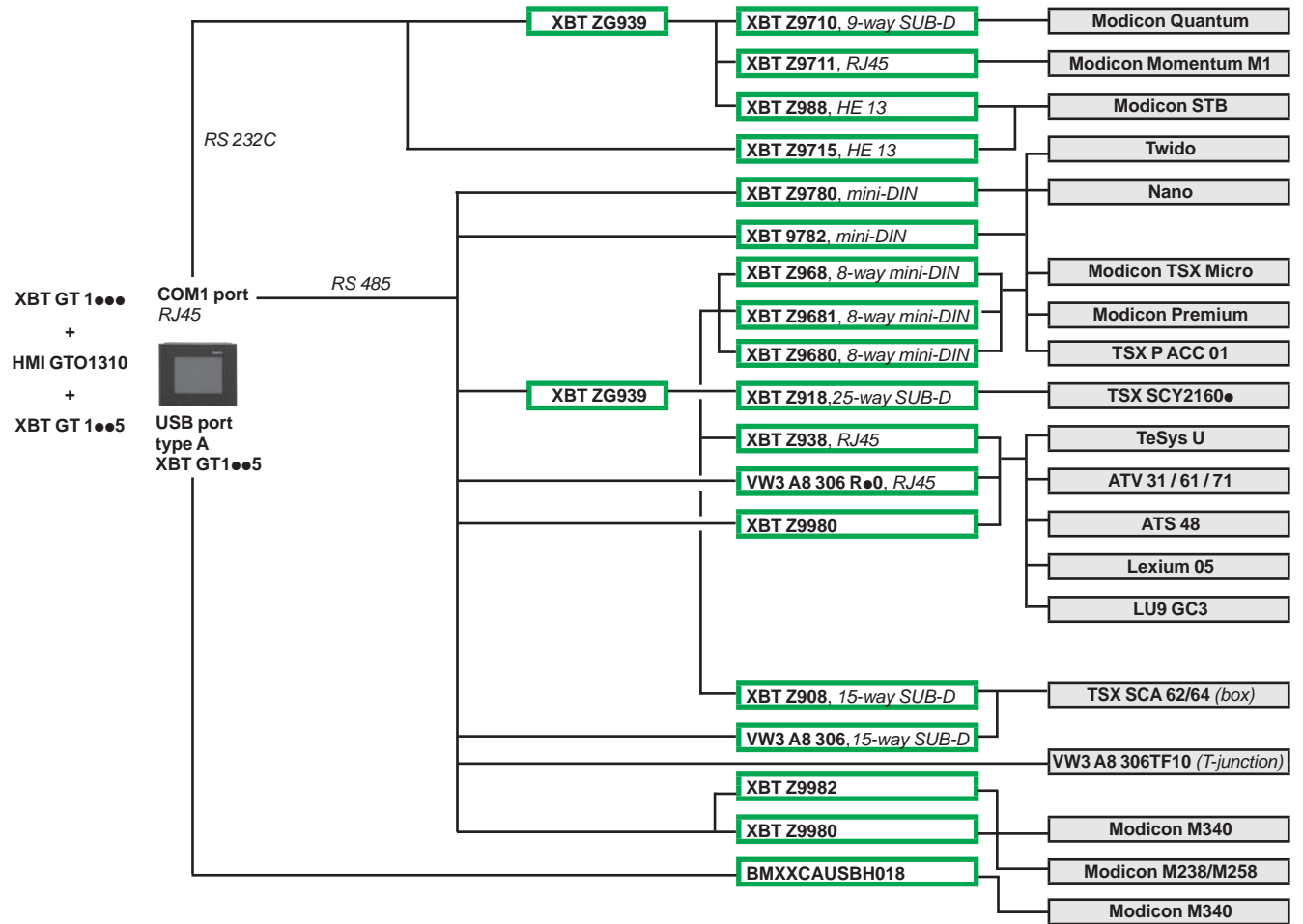


ABL 7RM24025

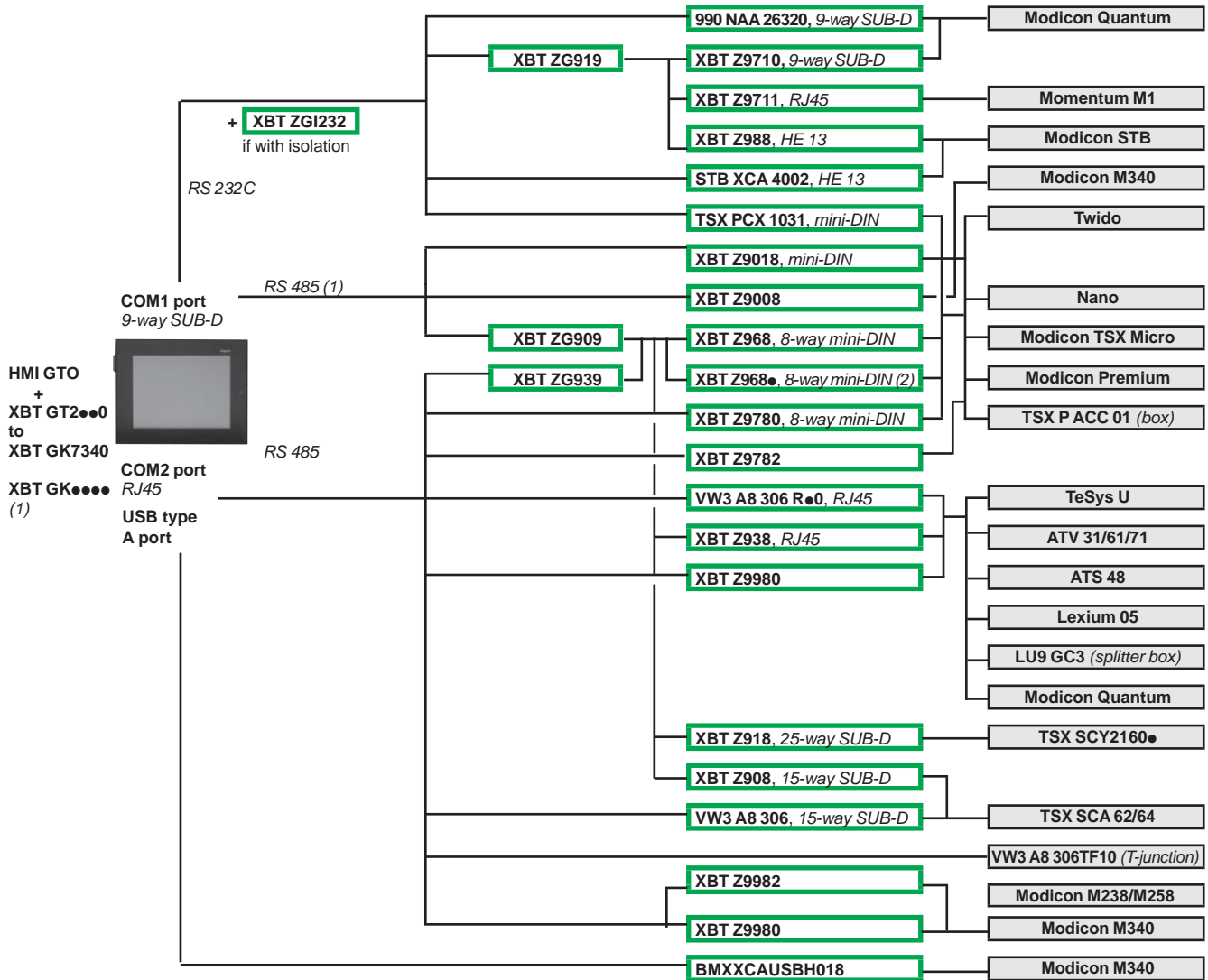
(1) Except XBT GT1●●●.

(2) Dimensions: H x W x D = 90 x 54 x 59 mm (ABL 8MEM24012) and 90 x 72 x 59 mm (ABL 7RM24025). For further information, please consult our website www.schneider-electric.com.

XBT GT11●5 terminals, HMI GTO1310 terminals and Schneider Electric products



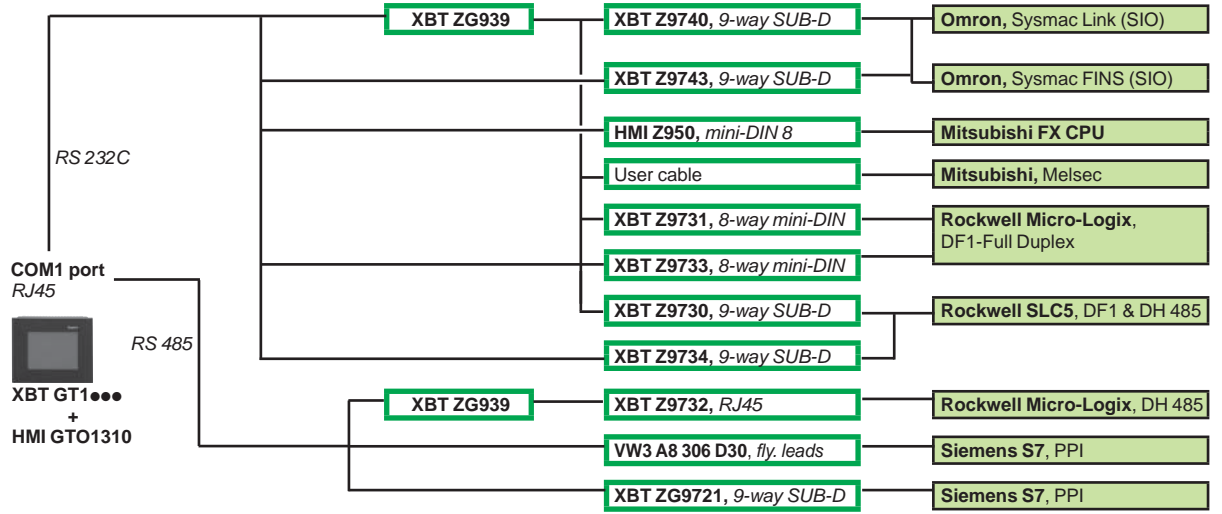
XBT GT2●●0/GT7340/GK●●●● terminals, HMI GTO terminals (except HMI GTO1310) and Schneider Electric products



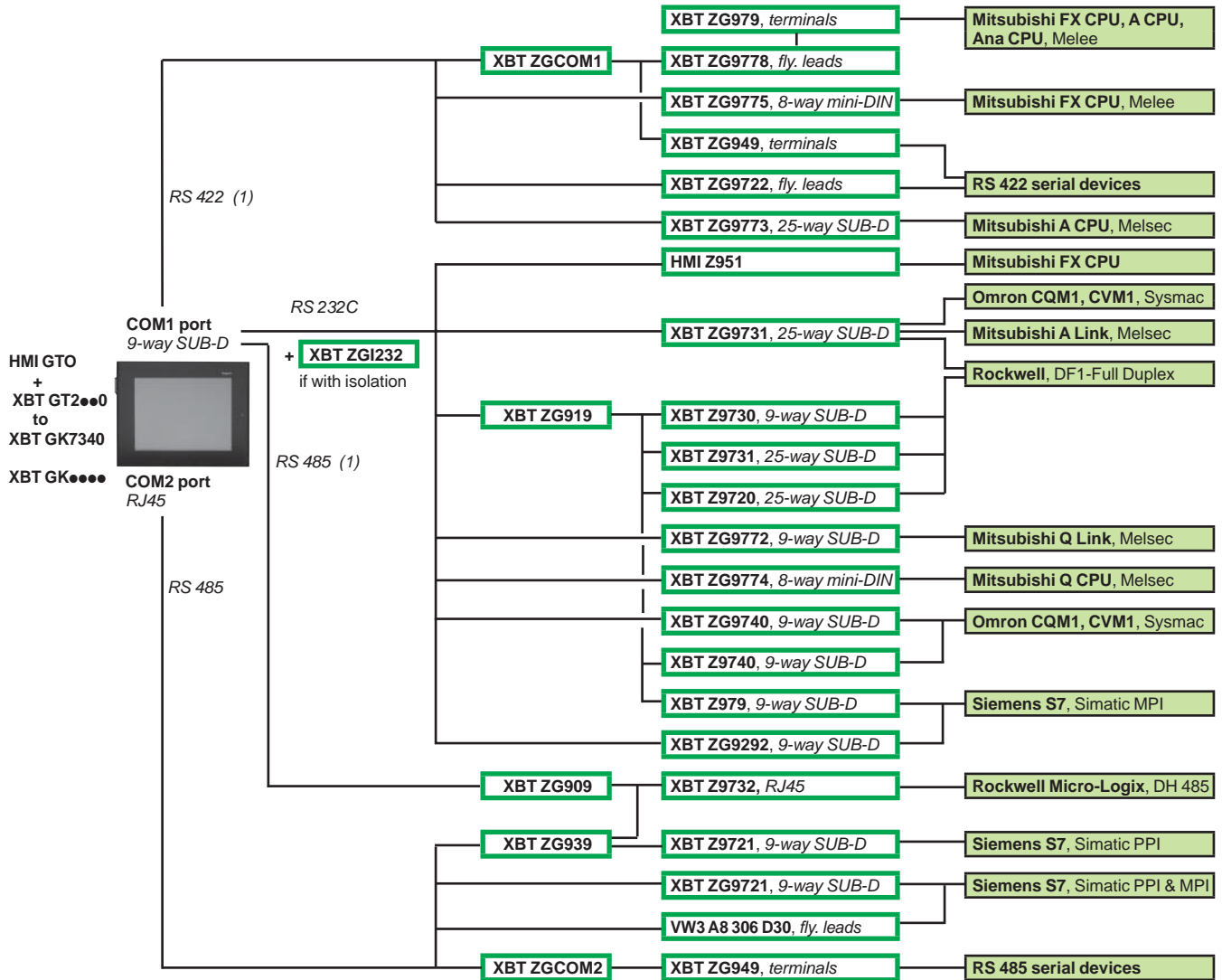
(1) RS485 not available for HMI GTO (COM1).

(2) ● defines the length:
 - 0, 2.5 m (elbowed connector)
 - 1, 5 m
 - 6, 16 m
 - 7, 20 m
 - 8, 25 m

XBT GT11●5 terminals, HMI GTO1310 terminals and third party PLCs



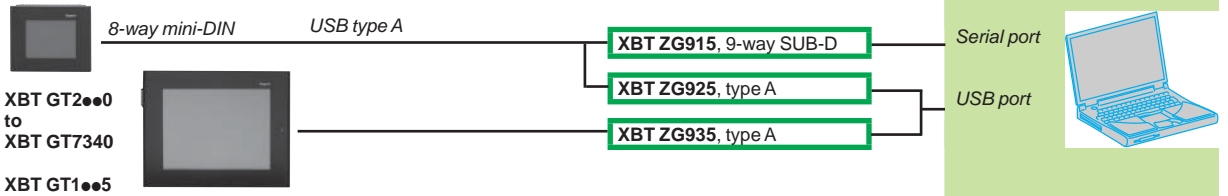
XBT GT2●●0/GT7340/GK●●● terminals, HMI GTO terminals (except HMI GTO1310) and third-party PLCs



(1) RS 422 and RS 425 not available on HMI GTO (COM1).

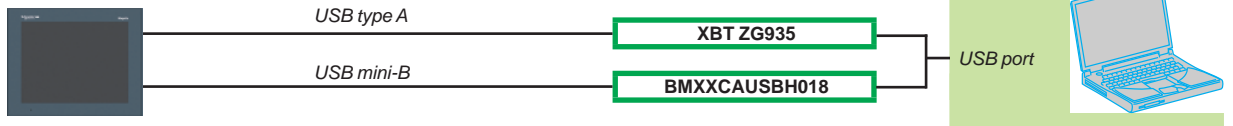
Application transfer from XBT GT terminals to PC

XBT GT1100/1130



Application transfer from HMI GTO terminals to PC

HMI GTO



Equivalent product table between XBT GT terminals and HMI GTO terminals		
Old range XBT GT	New range HMI GTO <i>Requires Vijeo Designer ≥ V6.1</i>	Mechanical adaptor
XBT GT1100	HMI GTO1300	–
XBT GT1130	HMI GTO1310	–
XBT GT1105	HMI GTO1300	–
XBT GT1135	HMI GTO1310	–
XBT GT1335	HMI GTO1310	–
XBT GT2110	HMI GTO2300	–
XBT GT2120	HMI GTO2310	–
XBT GT2130	HMI GTO2310	–
XBT GT2220	HMI GTO2310	–
XBT GT2330	HMI GTO2310	–
XBT GT4230	HMI GTO4310	–
XBT GT4330	HMI GTO4310	–
XBT GT5230	HMI GTO5310	XBT ZGC04
XBT GT5330	HMI GTO5310	–
XBT GT6330	HMI GTO6310	–

Comments: when upgrading from the Magelis XBT range to the Magelis GTO Optimum range, the following parameters must be taken into account:

- connection to the Profibus DP and Device Net fieldbuses is not possible,
- a combined RS232/RS422 serial link is not possible with COM1,
- there is no "alarm" output or "loudspeaker" output in the current version of the Optimum range.

Schneider Electric Industries SAS

www.schneider-electric.com

Head Office
35, rue Joseph Monier
F-92500 Rueil-Malmaison
France

The information provided in this documentation contains general descriptions and/or technical characteristics of the performance of the products contained herein. This documentation is not intended as a substitute for and is not to be used for determining suitability or reliability of these products for specific user applications. It is the duty of any such user or integrator to perform the appropriate and complete risk analysis, evaluation and testing of the products with respect to the relevant specific application or use thereof. Neither Schneider Electric nor any of its affiliates or subsidiaries shall be responsible or liable for misuse of the information contained herein.

Design: Schneider Electric
Photos: Schneider Electric
Printed by: